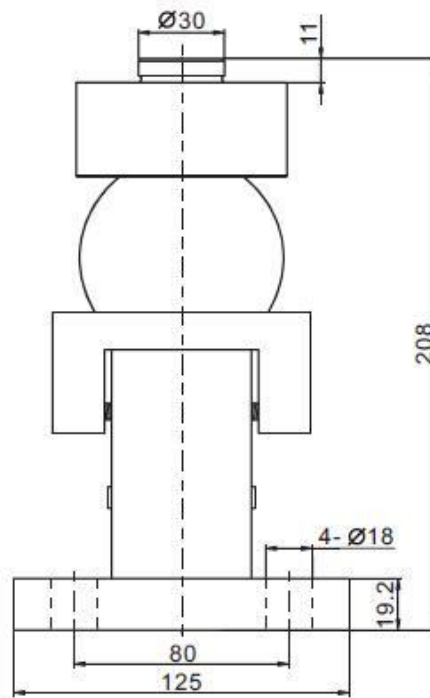
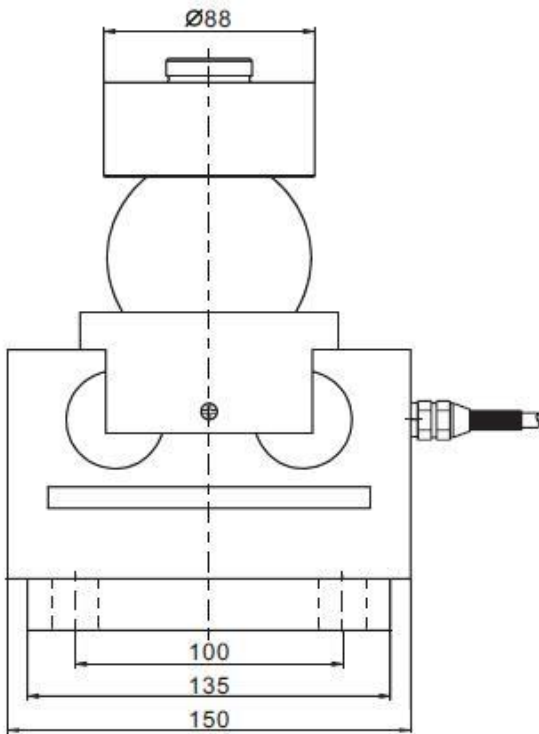
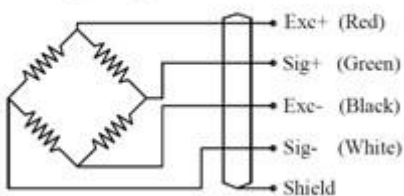


OIML Double Ended Shear Beam Load Cells BSA-Q



Wiring Diagram



Specification

Application		Truck scale	
Model		BSA-Q	
Capacity		20T, 30T	
Rated output		2.0±0.004 MV/V	
Accuracy class		C2	C3
Maximum number of verification intervals	n _{max}	2000	3000
Minimum load cell verification intervals	V _{min}	E _{max} /5000	E _{max} /7500
Combined Error	%RO	≤±0.030	≤±0.020
Creep	%RO/30min	0.02	0.016
Temperature effect on sensitivity	%RO/ °C	0.0016	
Temperature effect on zero	%RO/ °C	0.0026	0.002
Zero balance	%RO	±1.0	
Input resistance	Ω	750±3	
Output resistance	Ω	700±3	
Insulation resistance	MΩ(50V)	5000	
Recommended excitation voltage	V	10~15	
Compensated temperature range	°C	-10~+40	
Operating temperature range	°C	-35~+80	
Safe overload	%RO	150	
Ultimate overload	%RO	200	
Load cell material		Alloy steel , Stainless steel	
Connecting cable		∅ 5.7X8m	
Method of connecting wire		Red E(+) Black E(-) Green S(+) White S(-)	