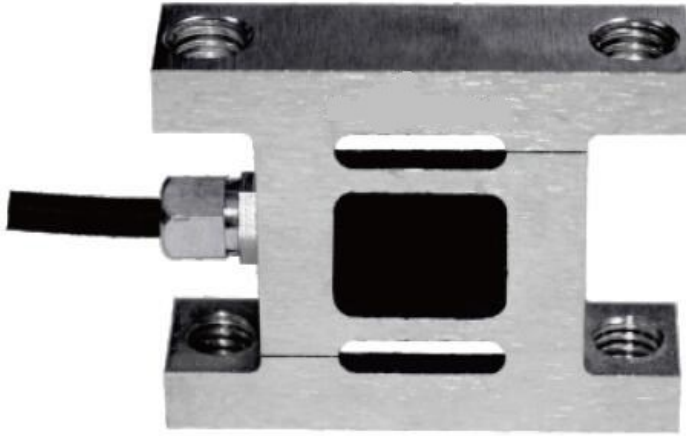




Tension and Compression Load Cells Sensor TNS-F



Applications:

Automotive , medical , robot, electronic, mechanical equipment, automation equipment, etc.

Force measurement in small space installation, such as feeling tester for keyboard switch, compression force measurement for hot and cold lamination machine, and grasping force measurement for robotic hands.

Feature:

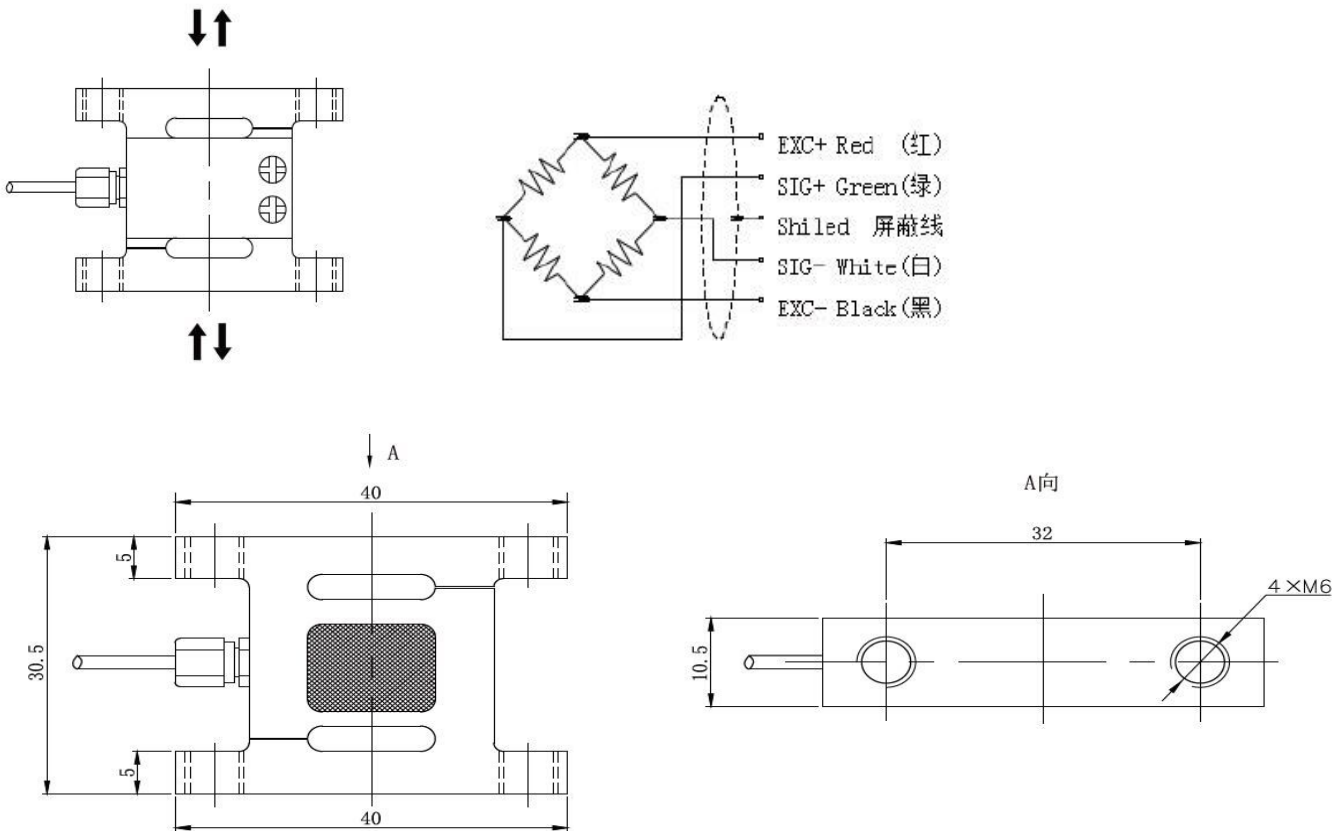
Adopts high precision resistance strain principle

Meet force measurement in the range of 0-100kg.

S type structural design, compression and tension, easy to install and flexible.

Small size, beautiful appearance.

Dimension Drawing:(mm)



Specification:

Capacity(optional)	10kg ,30kg , 50kg,100kg	Material	Stainless Steel
Rated Output	2.0±10%mV/V	Hysteresis	0.05% F.S.
Nonlinearity	0.05 % F.S.	Repeatability	0.05% F.S.
Creep(30min)	0.05 % F.S.	Zero Balance	± 2% F.S.
Temp effect on output	0.05 %F.S./10°C	Compensated temp rang	-10~+40°C
Temp effect on zero	0.05 %F.S./10°C	Operating temp range	-20~+80°C
Input Impedance	380±30Ω	Output Impedance	350±5Ω
Insulation	≥ 5000 MΩ/100VDC	Recommended excitation	5-10VDC
Maximum excitation	10VDC	Safe load limit	200 %F.S.
Life	Full scale more than 1 million times	Ultimate load limit	500 %F.S.
Cable size	Φ3×4m	Protection class	IP65
Cable connection	EXC+:Red, EXC-: Black ,SIG:+Green, SIG-:White,		